

FIG. 1

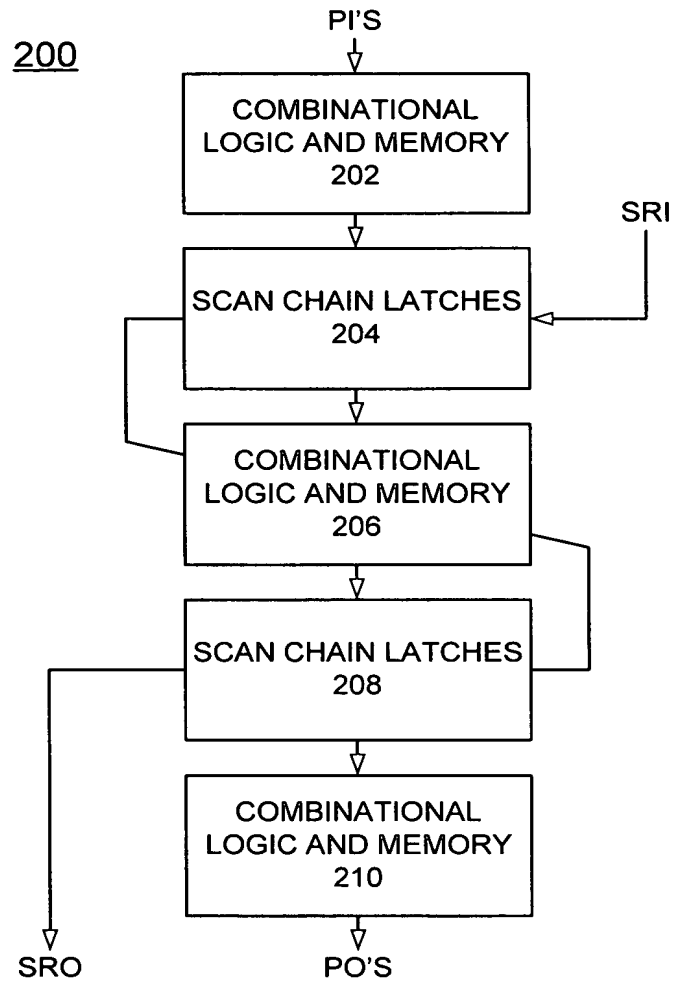


FIG. 2

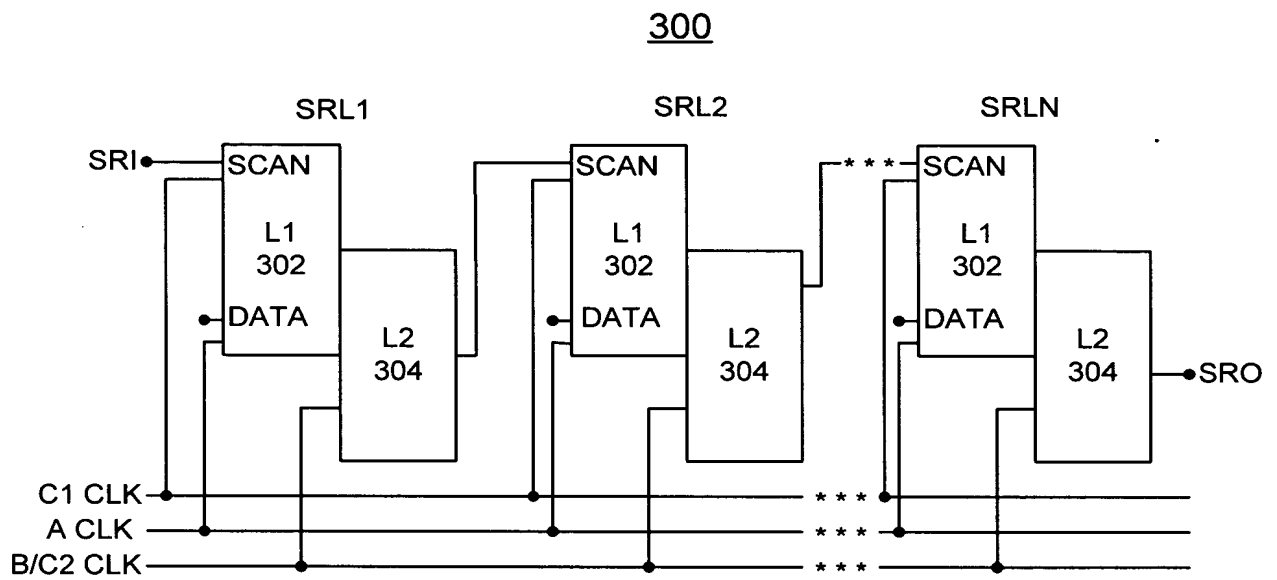


FIG. 3

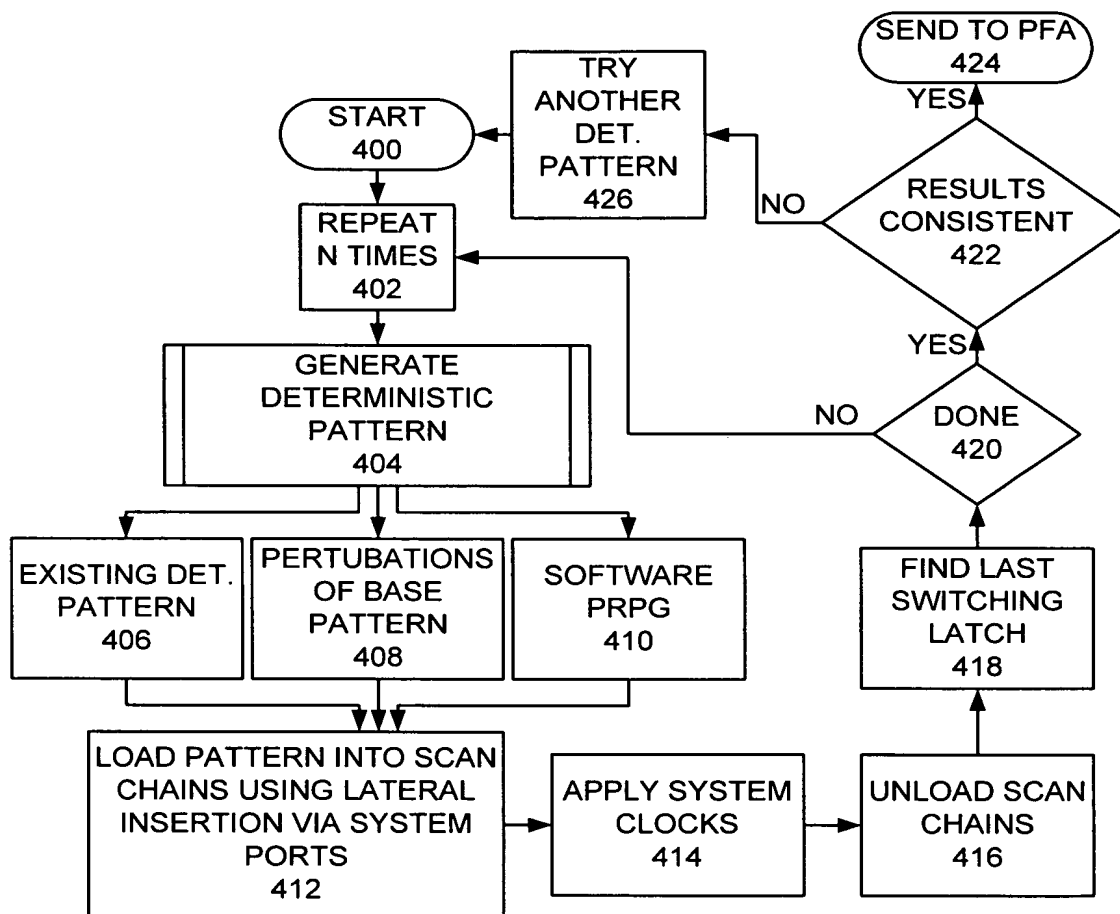


FIG. 4

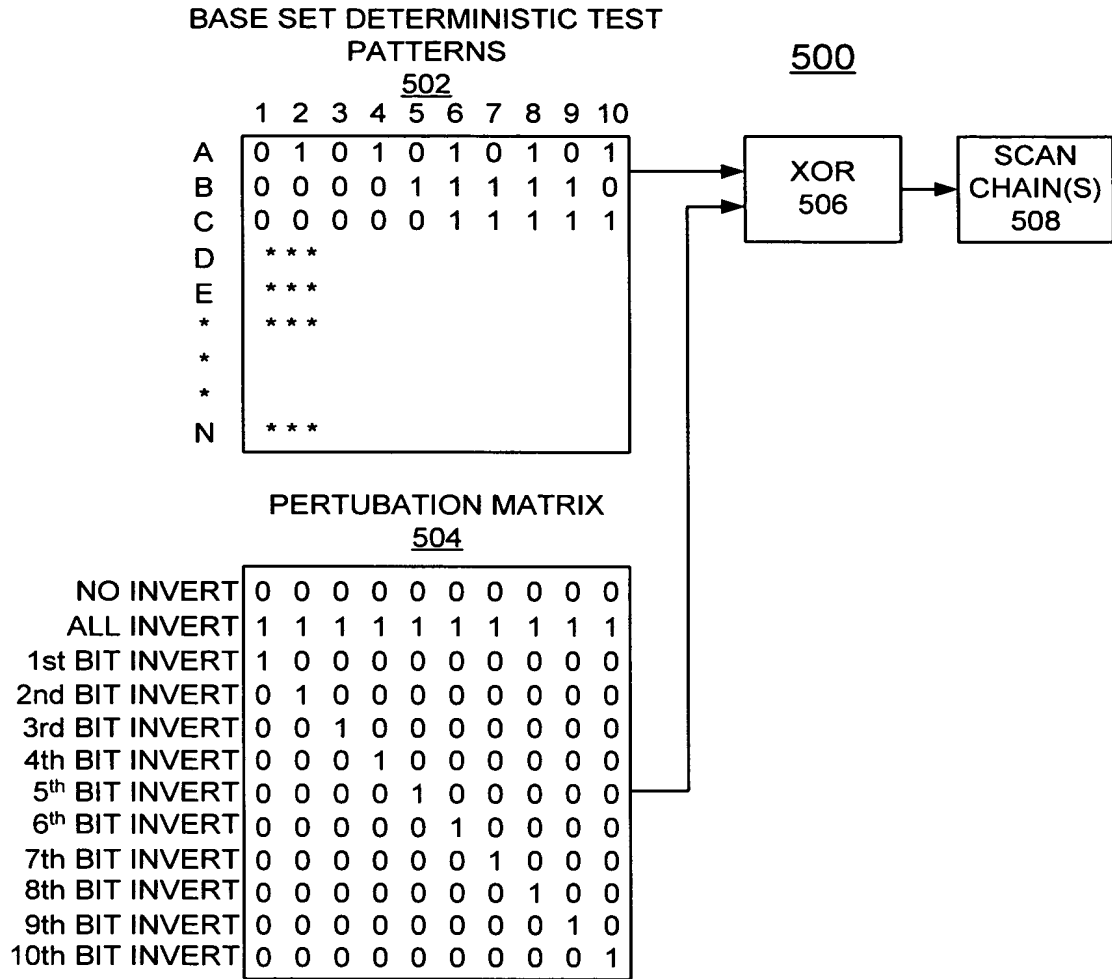


FIG. 5

600

1st PATTERN	0	0	0	0	0	1	1	1	1	1
2nd PATTERN	1	1	1	1	1	0	0	0	0	0
3rd PATTERN	0	0	0	0	0	1	1	1	1	0
4th PATTERN	0	0	0	0	0	1	1	1	0	1
5th PATTERN	0	0	0	0	0	1	1	0	1	1
6th PATTERN	0	0	0	0	0	1	0	1	1	1
7th PATTERN	0	0	0	0	0	0	1	1	1	1
8th PATTERN	0	0	0	0	1	1	1	1	1	1
9th PATTERN	0	0	0	1	0	1	1	1	1	1
10th PATTERN	0	0	1	0	0	1	1	1	1	1
11th PATTERN	0	1	0	0	0	1	1	1	1	1
12th PATTERN	1	0	0	0	0	1	1	1	1	1

FIG. 6

FIG. 7

